

# PLANE MORE ROAD FOR LESS



Element Six offers high-quality road planing picks and accessories that last longer, perform better and increase productivity – allowing customers to plane more road for less.



# A GROWING RANGE OF INNOVATIVE PRODUCTS

Element Six works in partnership with customers to develop cutting-edge products and materials that offer considerable advantages over their competitors. Element Six has a proven commitment and capacity to innovate and continues to deliver groundbreaking commercial opportunities.

For instance, Element Six has engineered D Power™ Road Pick, an innovative Polycrystalline diamond (PCD) tipped road pick that lasts over 40 times as long as conventional picks.

Element Six's unique state-of-the-art \$30 million Global Innovation Centre near Oxford (UK), further enhances our position as the world leader in synthetic diamond and supermaterial research to find new ways to turn the extreme properties of supermaterials into products with revolutionary performance.



Exceeding 40X standard pick life



## CONTENTS

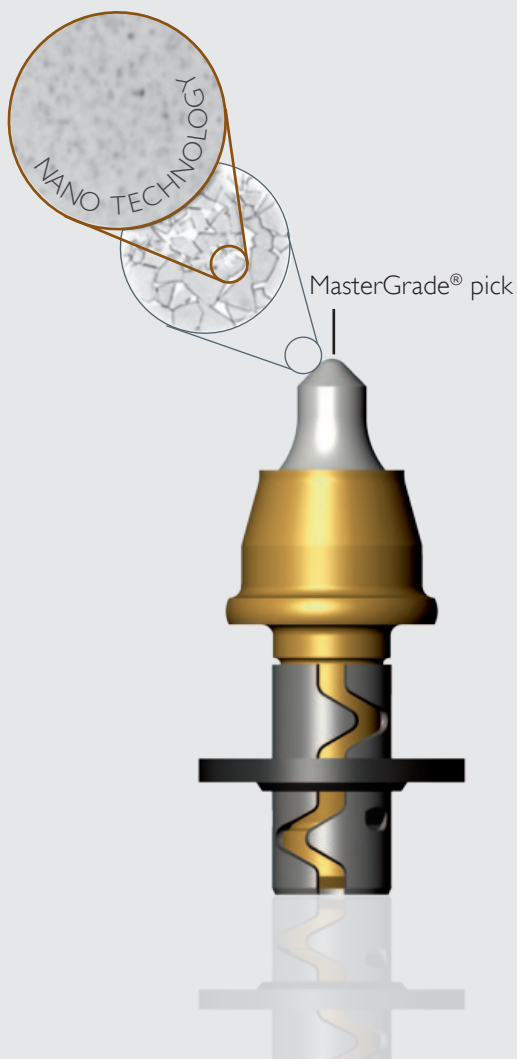
MasterGrade® picks	P 4-5
T-Series road picks	P 6-7
Soil stabilisation picks	P 8-9
Accessories	P 10-11

# IMPROVE PROJECT PROFITABILITY WITH BEST-IN-CLASS ROAD PICKS

For over 60 years, Element Six has been pioneering the manufacture and use of synthetic diamond and Tungsten Carbide for industrial applications. For over 20 years, Element Six has been offering road planing contractors an unrivalled portfolio of road planing and soil stabilisation picks:

## MASTERGRADE® ROAD PICKS

MasterGrade® M-Series Road Picks use Element Six proprietary "Nano" technology to enhance the cobalt binder matrix. The result is a versatile pick with greater wear resistance and higher fracture toughness, which extends tool life expectancy by up to 50%. That cuts time consuming pick changes and raises returns on manpower and machine assets by increasing productivity and reducing operating costs.



## T-SERIES ROAD PICKS

Element Six offers a range of optimum standard Tungsten Carbide picks. These picks set the benchmark for specification accuracy, reliability and value.

## SOIL STABILISATION PICKS

Element Six offers a range of cost-effective picks tailored to match the varying techniques used for stabilising soils for the building of roads, pavements, railway lines, housing and industrial units. Element Six stabilisation picks maximise the efficiency and economy of stabilisation machines.

## ACCESSORIES

Element Six offers a range of complimentary milling machine accessories and tools suitable for a wide range of milling machines.

## QUALITY

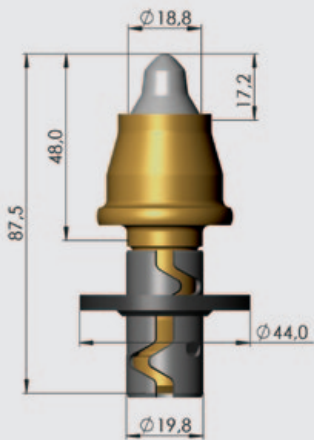
The widespread use and the excellent reputation of Element Six road planing picks, soil stabilisation picks and complimentary accessories are supported by our stringent Quality Assurance Programme. Element Six is also certified to the international standards for quality, safety and environmental management.



## ADVANTAGES

- MasterGrade® improves tool life by up to 50%
- Optimum wear resistance
- Optimum holder protection through improved sleeve design
- Wear protection disk Ø 44mm
- Easy mounting/demounting

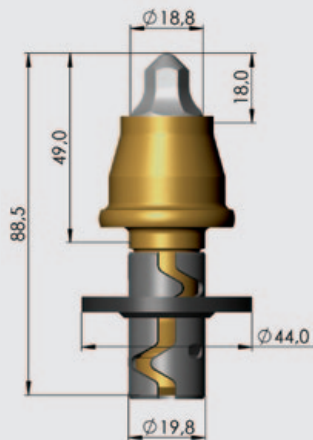
# MASTERGRADE® OUTPERFORMS



**RM3-M7**  
part-no. 11031195

**RM3-MN7**  
WITH EXTRACTOR GROOVE  
part-no. 11031194

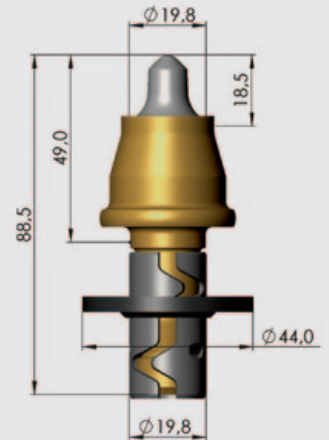
Heavy duty pick for multi-purpose applications on medium to high powered machines.



**RM3-M9**  
part-no. 11031199

**RM3-MN9**  
WITH EXTRACTOR GROOVE  
part-no. 11031181

Heavy duty pick for multi-purpose applications on medium to high powered machines.



**RM3-M8 XS**  
part-no. 11031361

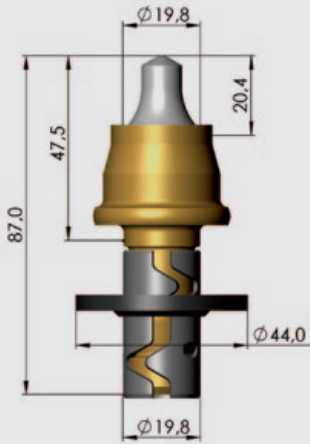
Heavy duty pick for medium to high powered machines.

“Element Six’s MasterGrade® has proven over the years to be the tool that gives us the best overall value due to the extended life we get from the carbide tip. This means less frequent tool changing for operators, which they like, and in the long run a reduction in the number of picks we need to use”.

Jim Tough, Plant Director,  
Tripod Crest Ltd



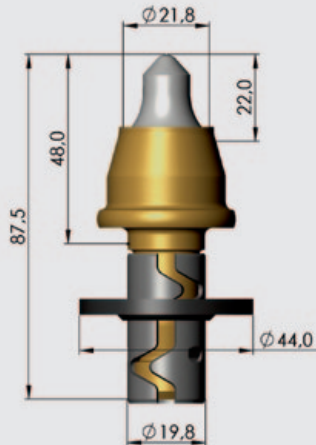
# STANDARD PICKS BY UP TO 50%



**RM3-M8**  
part-no. 11031183

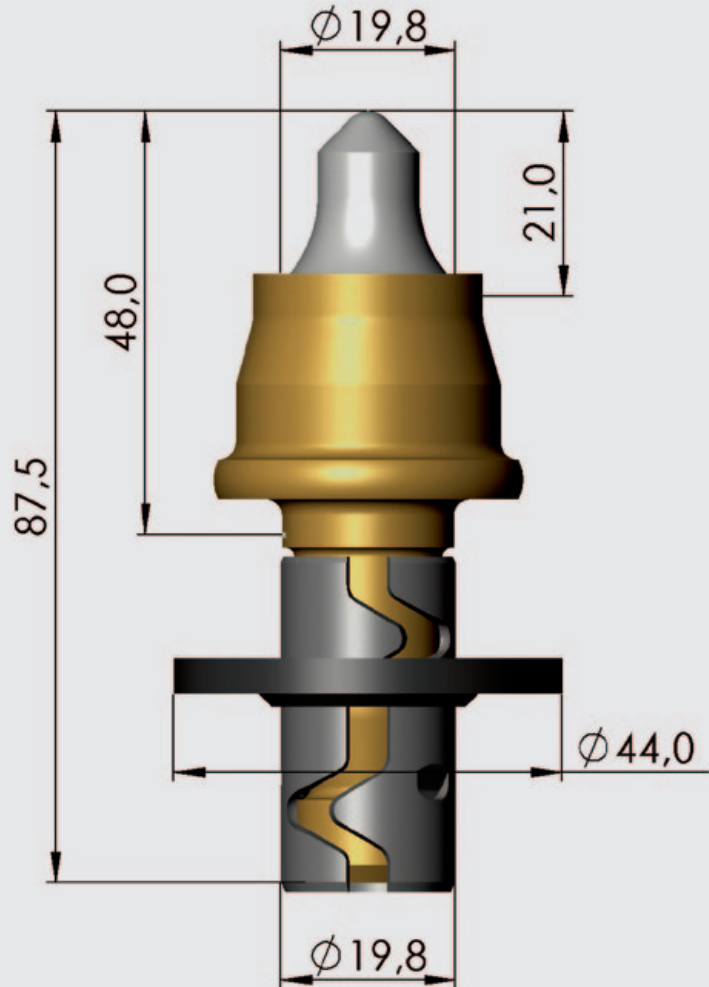
**RM3-MN8**  
WITH EXTRACTOR GROOVE  
part-no. 11031198

For economical asphalt planing on medium and high powered machines.



**RM3-M10**  
part-no. 11031187

Heavy duty pick for multi-purpose applications on high powered machines. Suitable for planing asphalt and concrete.



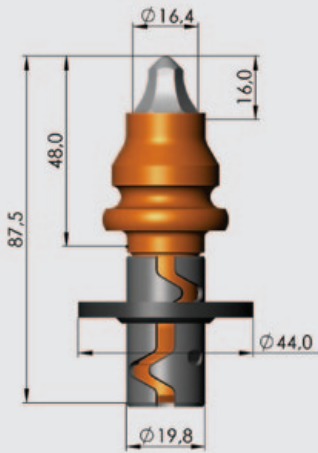
**PRICE  
PERFORMANCE  
WINNER**

**RM3-M8 XL**  
part-no. 11031182

**RM3-MN8 XL**  
WITH EXTRACTOR GROOVE  
part-no. 11031196

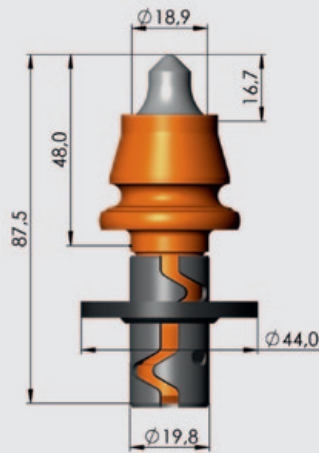
Pick with optimised head design for applications on medium to high powered machines.

# T-SERIES ROAD PICKS



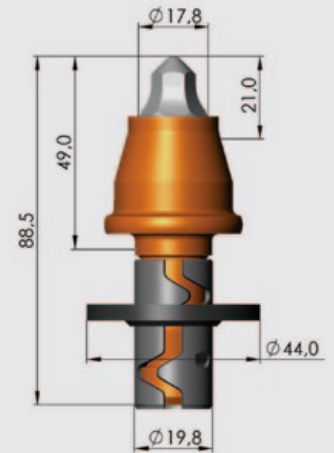
**RM3-TN1**  
WITH EXTRACTOR GROOVE  
part-no. 11031143

For planing asphalt on small machines.



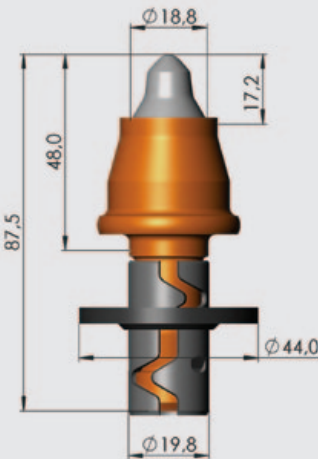
**RM3-T6**  
part-no. 11031330  
**RM3-TN6**  
WITH EXTRACTOR GROOVE  
part-no. 11031141

For asphalt planing on medium sized machines.



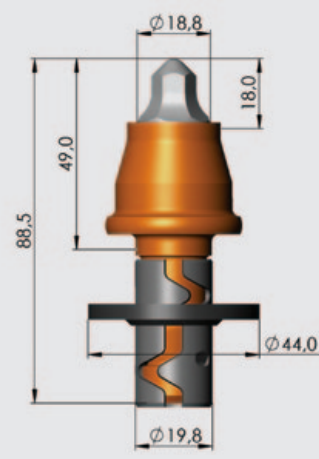
**RM3-T6 VR**  
part-no. 11031322

For asphalt planing on medium to large sized machines.



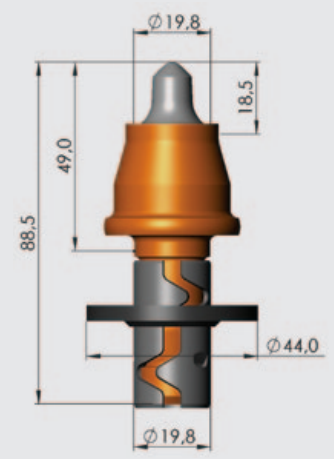
**RM3-T7**  
part-no. 11031136  
**RM3-TN7**  
WITH EXTRACTOR GROOVE  
part-no. 11031139

Heavy duty pick for multi-purpose applications on medium to high powered machines.



**RM3-T9**  
part-no. 11031133  
**RM3-TN9**  
WITH EXTRACTOR GROOVE  
part-no. 11031137

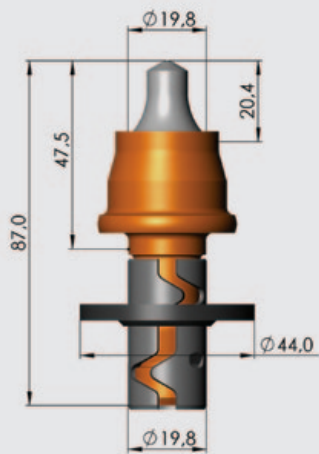
Heavy duty pick for multi-purpose applications on medium to high powered machines.



**RM3-T8 XS**  
part-no. 11031327

Heavy duty pick for medium to high powered machines.

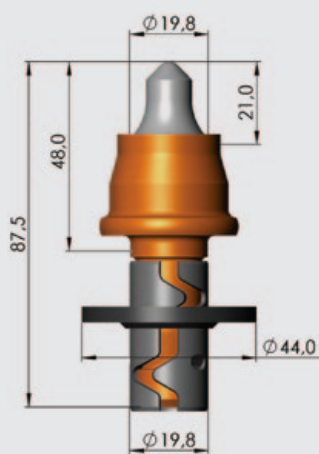
# FOR QUALITY AND STRONG PERFORMANCE



**RM3-T8**  
part-no. 11031135

**RM3-TN8**  
WITH EXTRACTOR GROOVE  
part-no. 11031138

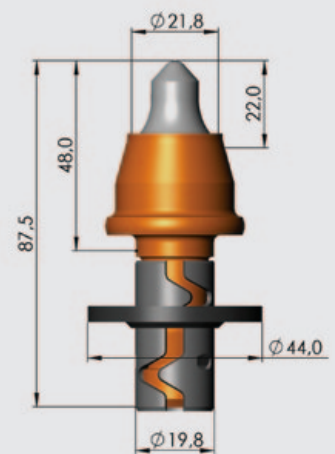
For economical asphalt planing on medium and high powered machines.



**RM3-T8 XL**  
part-no. 11031147

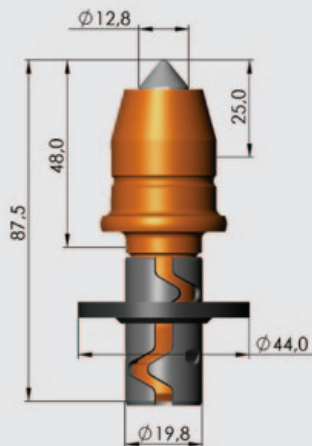
**RM3-TN8 XL**  
WITH EXTRACTOR GROOVE  
part-no. 11031152

Pick with optimised head design for applications on medium to high powered machines.



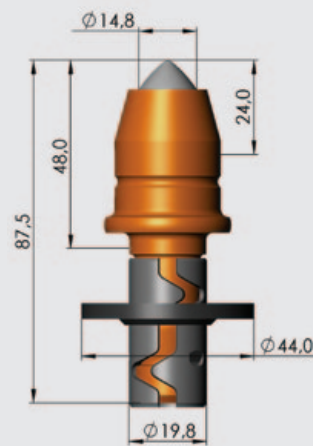
**RM3-T10**  
part-no. 11031146

Heavy duty pick for multi-purpose applications on high powered machines. Suitable for planing asphalt and concrete.



**RM3-TB 13**  
part-no. 11031304

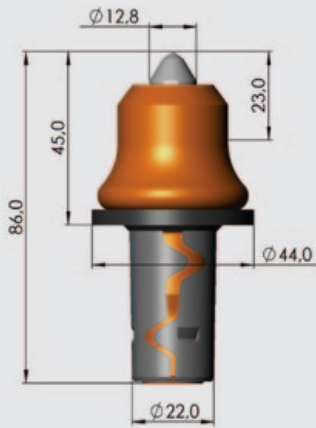
For planing concrete, suitable for medium sized machines.



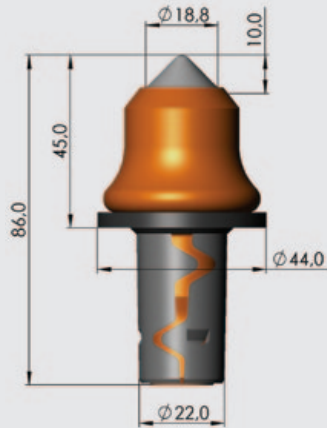
**RM3-TB 15**  
part-no. 11031305

For planing concrete, suitable for medium to large sized machines.

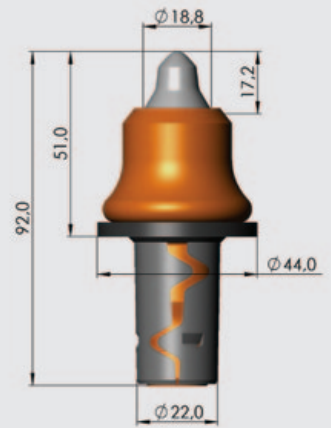
# SOIL STABILISATION PICKS



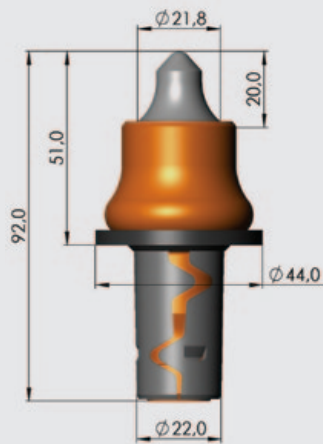
**RM3-22/BS 13**  
part-no. 11030252



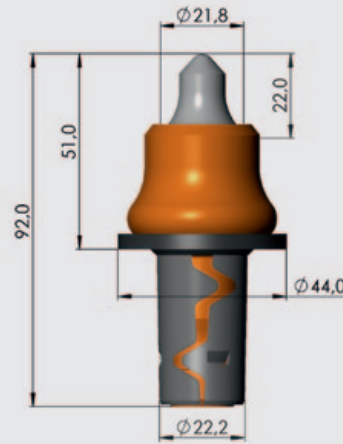
**RM3-22/B3**  
part-no. 11030253



**RM3-22/B7**  
part-no. 11030247

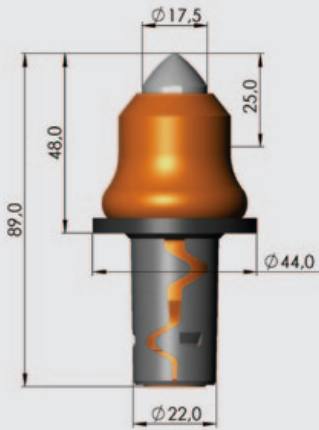


**RM3-22/B10.1**  
part-no. 11030287

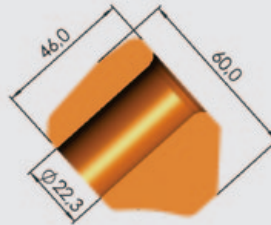


**RM3-22/BM10**  
part-no. 11031333





**RM3-22/BS 18**  
part-no. 11030288

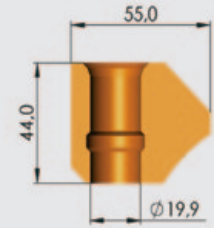
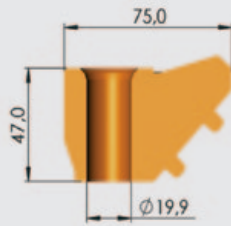


**RH3-22-T**  
part-no. 13010127



Element Six soil stabilisation picks deliver high performance in all applications. (Source: Petschl Frästechnik)

# ACCESSORIES FOR ROAD PLANING



**RH3-20-WK**  
part-no. 13010023

Pick holder with locating pins for precise mounting to milling drum.

**RM3-20-W**  
part-no. 13010021

Pick holder with a high service life, to be welded directly to the milling drum.



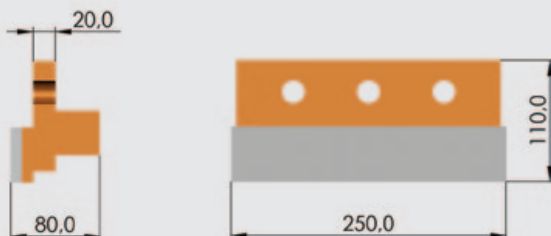
**DRIFTER**  
part-no. 13210017

Drifter for quick and easy exchange of picks.



**EXTRACTOR**  
part-no. 13210030

Extractor for quick and easy exchange of picks.



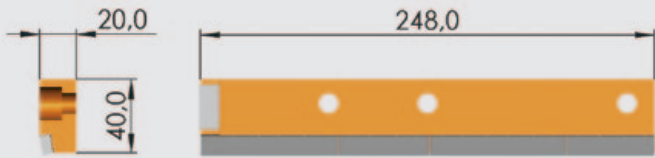
**EJECTOR 250mm**  
part-no. 14010035

Wear resistant ejector; width 250 mm, for use on high powered machines.



**EJECTOR 150mm**  
part-no. 14010034

Wear resistant ejector; width 150 mm, for use on medium class milling machines.



**SCRAPER BLADE (R)**

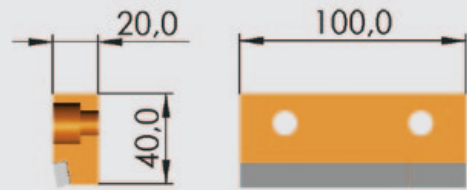
part-no. I4010020  
size 248 x 40 x 20 mm

**SCRAPER BLADE (M)**

part-no. I4010018  
size 248 x 40 x 20 mm

Carbide protected blade (right) which is distinguished by high wear resistance.

Carbide protected blade (middle) which is distinguished by high wear resistance.



**SCRAPER BLADE (L)**

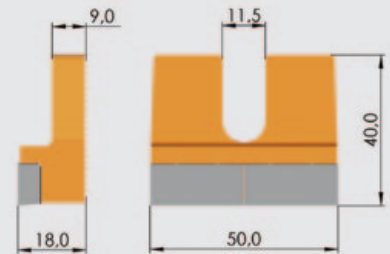
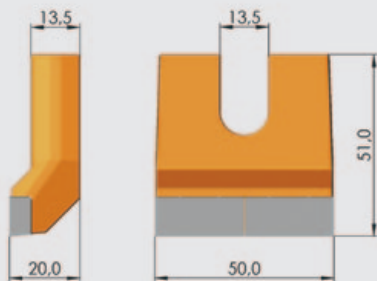
part-no. I4010019  
size 248 x 40 x 20 mm

**SCRAPER BLADE (MS)**

part-no. I4010021  
size 100 x 40 x 20 mm

Carbide protected blade (left) which is distinguished by high wear resistance.

Carbide protected blade (middle) which is distinguished by high wear resistance.



**SCRAPER**

part-no. I4010001  
size 50 x 51 x 20 mm

**SCRAPER**

part-no. I4010013  
size 50 x 51 x 18 mm

Carbide protected blade which is distinguished by high wear resistance.

Carbide protected blade which is distinguished by high wear resistance.

## ELEMENT SIX

Element Six is a synthetic diamond supermaterials company and part of the De Beers Group of Companies.

Element Six designs, develops and produces synthetic diamond supermaterials, and operates worldwide with its head office registered in Luxembourg, and primary manufacturing facilities in China, Germany, Ireland, Sweden, South Africa, US and the UK.

Element Six supermaterial solutions are used in applications such as cutting, grinding, drilling, shearing and polishing, while the extreme properties of synthetic diamond beyond hardness are already opening up new applications in a wide array of industries such as optics, power transmission, water treatment, semiconductors and sensors.



Australia Brazil Canada China Germany Hong Kong India Ireland Israel Japan Luxembourg  
Netherlands South Africa South Korea Sweden Switzerland Taiwan Thailand UK United States

Element Six GmbH  
Staedeweg 12 – 24  
36151 Burghaun  
Germany

T: +49 (0) 6652 82 300  
F: +49 (0) 6652 82 390  
E: [hm@e6.com](mailto:hm@e6.com)  
W: [www.e6.com](http://www.e6.com)

**DE BEERS**  
GROUP OF COMPANIES